

# M-80p

## 80-lb Capacity OPL Dryer

### Standard Features:

- Variable drum speed
- Pre-heat system
- Trans-axial airflow
- Fully insulated cabinet
- Double-pane door glass
- Fire extinguishing system
- Easy-clean lint screen technology
- Direct spark ignition
- Two-point roller support
- Intuitive micro controls with auto-dry system
- Single-phase reversing basket
- Stainless steel basket and fronts
- Simplified inverter drive system
- Available in gas, electric & steam

### Optional Feature:

- Automatic Airflow compensator

Optional automatic airflow compensator adjusts exhaust fan speed to improve exhaust flow with increased back pressure caused by installation issues. This exclusive patented technology adjusts fan speed and enhances dryer performance. Measurements are calculated in real-time, on an ongoing basis to optimize dry-times and efficiency.

## Why Purchase M-80p?

### Performance

The achievement: Through innovative design, the Premier Series dryers achieve higher performance, industry-leading efficiency, shorter dry times and safer, more reliable operation. What an owner wants, an owner gets: saving money on utilities, payroll, and maintenance. Anyone can say their dryers have the best performance. The p-Series dryers have the features to prove it.

### Reliability

Demanding owners require more than just outstanding performance for their toughest laundry environments. To accommodate owners, we designed the p-Series with years of reliable operation as an absolute design necessity. A sturdy steel-welded cabinet, fewer moving parts and top-quality components are the foundation of the line. Costly repairs and unwanted downtime are now a thing of the past.

### Intuitive micro controls are easy-to-use and 100% customizable.

Intuitive micro controls are intelligent, simple-to-use control systems that provide one-touch program selection. By creating a fully integrated drying system, Milnor utilizes intuitive micro controls to control all aspects of the drying process to minimize user error and maximize drying speed and efficiency.



M-80p OPL Dryer

Your local Milnor independent authorized distributor



# M-80p

## M-80p Specifications

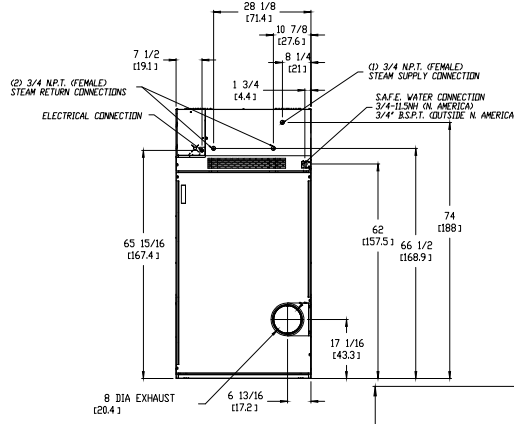
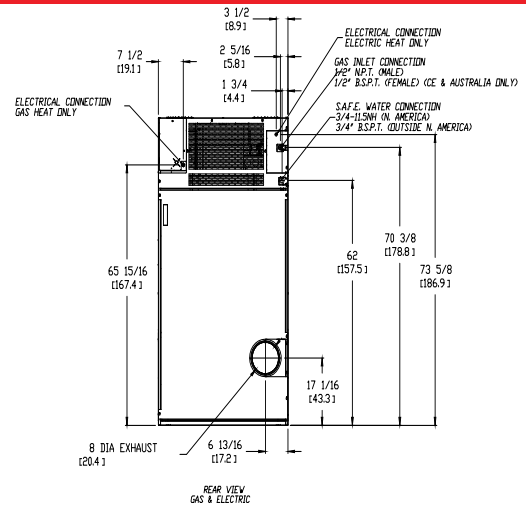
Maximum Capacity (dry weight)	80 lb	36.28 kg
Tumbler Diameter	37"	93.98 cm
Tumbler Depth	35-7/16"	90.01 cm
Tumbler Volume	22.05 cu ft	624.39 L
Tumbler/Drive Motor	1 hp	0.74 kW
Blower/Fan Motor*	3/4 hp	0.56 kW
Cabinet Width	39"	99.06 cm
Cabinet Depth	52-3/8"	133.03 cm
Cabinet Height	77-7/8"	197.80 cm
Door Opening (diameter)	31-3/8"	79.69 cm
Door Sill Height	29"	73.66 cm
Water Connection	3/4"-11.5 NH (North America) 3/4" B.S.P.T. (Outside North America)	
Dryers per 20'/40' Container	8 / 16	
Dryers per 48'/53' Container	22 / 26	
<b>Gas</b>		
Voltage Available	120-480V	1,3ø 2,3w 50/60 Hz
Approximate Net Weight	700 lb	317.52 kg
Approximate Shipping Weight	720 lb	326.59 kg
Airflow	50 Hz	880 cfm
	60 Hz	920 cfm
Heat Input	135,000 Btu/hr	34,019 kcal/hr
Exhaust Connection (diameter)	8"	
Inlet Pipe Connection	1/2" N.P.T. (Male)	
	1/2" B.S.P.T. (Female) (CE and Australia Only)	
<b>Electric</b>		
Voltage Available	280-480V	1,3ø 2,3,4w 50/60 Hz
Approximate Net Weight	710 lb	322.05 kg
Approximate Shipping Weight	730 lb	331.12 kg
Airflow	50 Hz	770 cfm
	60 Hz	740 cfm
Exhaust Connection (diameter)	8"	
Oven Size	kW	Btu/hr kcal/hr
	22	75,067 18,917
	20.4	69,608 17,541
	18.5	63,125 15,907
<b>Steam</b>		
Voltage Available	120-480V	1,3ø 2,3w 50/60 Hz
Approximate Net Weight	830 lb	376.48 kg
Approximate Shipping Weight	865 lb	392.36 kg
Airflow	50 Hz	854 cfm
	60 Hz	1,025 cfm
Steam Consumption (Max)	140 lb/hr	63.50 kg/hr
Operating Steam Pressure	150 psi	10.34 bar
Exhaust Connection (Diameter)	8"	
Boiler Horsepower (Normal Load)	3.6 Bhp	
Supply Connection	(1) 3/4" N.P.T. (Female)	
Return Connection	(2) 3/4" N.P.T. (Male)	

03/29/15

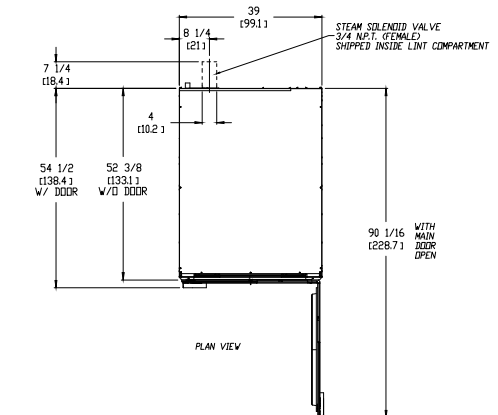
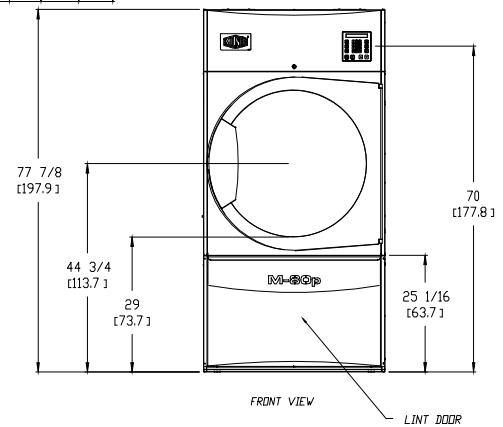
\* Blower/fan motor for single-phase steam is 1 hp (0.75 kW). Blower/fan motor for 3-phase, all heat, is 1 hp (0.75 kW).

Electrical Service Specifications					
GAS HEAT					
SERVICE VOLTAGE	PHASE	WIRE SERVICE	APPROX AMP DRAW		CIRCUIT BREAKER
			60 Hz	50 Hz	
120	1ø	2	9.8	--	15
208	1ø	2	10	--	15
220	1ø	2	5	5	15
230	1ø	2	5	5	15
240	1ø	2	5	5	15
208	3ø	3	4.45	--	15
220	3ø	3	8.35	4.45	15
230	3ø	3	8.35	4.45	15
240	3ø	3	8.35	4.45	15
380	3ø	3	--	2.73	15
400	3ø	3	--	2.73	15
416	3ø	3	--	2.73	15
440	3ø	3	4.53	--	15
460	3ø	3	4.53	--	15
480	3ø	3	4.53	--	15

Electrical Service Specifications						
ELECTRIC HEAT						
SERVICE VOLTAGE	PHASE	WIRE SERVICE	kW	APPROX AMP DRAW		CIRCUIT BREAKER
				60 Hz	50 Hz	
SINGLE-PHASE HEAT SINGLE-PHASE MOTOR						
208	1ø	2	22	116.1	--	150
220	1ø	2	18.5	94.0	89.0	125
230	1ø	2	20.4	98.6	93.6	125
240	1ø	2	22	101.7	93.6	150
THREE-PHASE HEAT SINGLE-PHASE MOTOR						
208	3ø	3	22	71.4	--	90
220	3ø	3	18.5	58.5	53.4	70
230	3ø	3	20.4	62.2	56.1	80
240	3ø	3	22	63	57.8	80
380	3ø	3*	18.5	--	34.7	50
400	3ø	3*	20.4	--	36.1	50
416	3ø	3*	22	--	37.2	50
THREE-PHASE HEAT THREE-PHASE MOTOR						
208	3ø	3	22	69	--	90
220	3ø	3	18.5	57	55	80
230	3ø	3	20.4	60	58	80
240	3ø	3	22	61	59	80
380	3ø	3	18.5	--	33	50
400	3ø	3	20.4	--	34	50
416	3ø	3	22	--	35	50
440	3ø	3	18.5	29	--	40
460	3ø	3	20.4	30	--	40
480	3ø	3	22	31	--	40



\* If configuration ordered is 1ph motor, 3ph heat dryer will be 4w.



Pellerin Milnor Corporation, PO Box 400, Kenner, LA 70063 USA

Phone 504.712.7656 Toll-Free: 800.469.8780 Fax: 504.468.3094

1/17

www.milnor.com